



W A T E R   S Y S T E M

## Complete Swimming Pool Packages

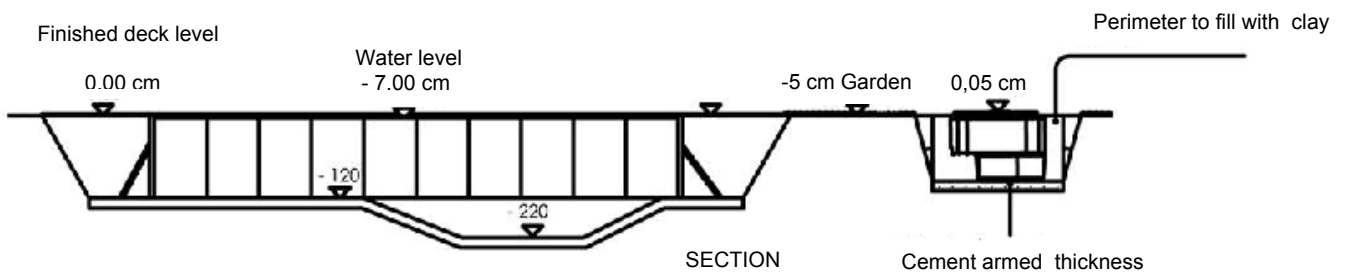






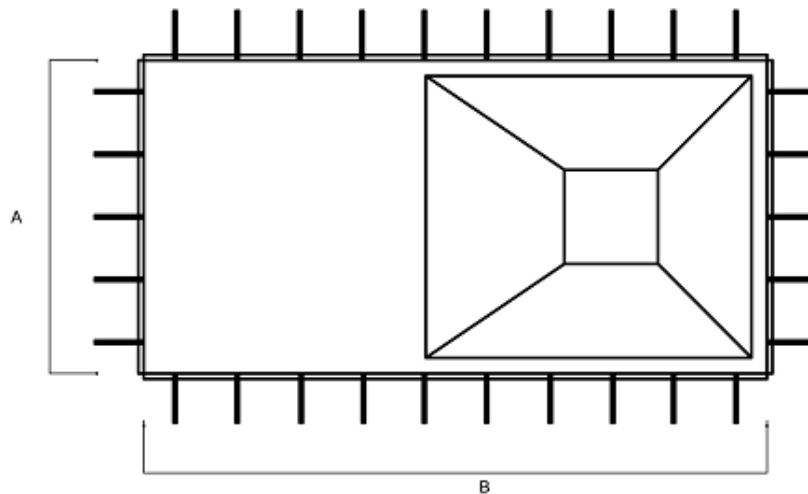
## Rectangular type pools – Standard Skimmers

### Height mt 1,20 – 2,20



**Note:**

The dimension indicated are to be considered minimum and imperative.  
 Min concrete bed thickness = 15 cm; Concrete Rck 250 kg/ cmq (250 da N / cmq );  
 min concrete bed reinforcement = electro welded wire mesh Ø 6 / 20"x20"  
 Surface smoothed with plaster, thin sand mortar and concrete; edges of the pool bottom without fittings.  
 Give the pool bottom 3 cm-slope towards the floor inlet.  
 The indicated specifications are valid for draining soils without layer, with  $\sigma > 1.50$  daN/cm<sup>2</sup>.  
 For different conditions it is necessary a preventive check carried out by the purchaser.

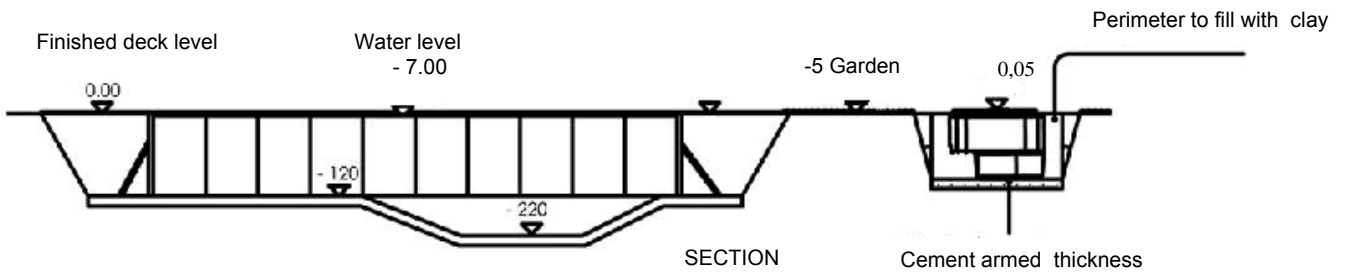


AxB	Depth	Panel h 120	Flow	Accessories for Circulation			PVC Liner	Pool Edge	INOX 304 Ladders	Testing and Cleaning Kit
				SKIMMER	NOZZLES	MAIN DRAIN				
METER	CENTIMETER	ALUZIC	M3/h				THICKNESS 1.5 mm	Concrete and Grit	3 stairs n°	
4 x 8	120-220	Aluzinc	15	2	2	1	Yes	Yes	1	Yes
5 x 10	120-220	Aluzinc	15	2	2	1	Yes	Yes	1	Yes
5 x 12	120-220	Aluzinc	15	2	2	1	Yes	Yes	1	Yes
6 x 12	120-220	Aluzinc	22	2	2	1	Yes	Yes	1	Yes
6 x 14	120-220	Aluzinc	22	3	3	1	Yes	Yes	1	Yes
8 x 16	120-220	Aluzinc	33	4	4	1	yes	yes	1	yes



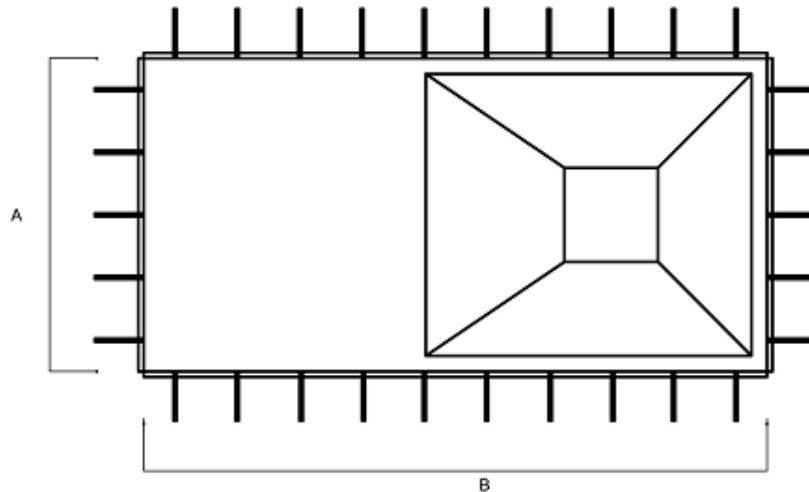
## Rectangular type pools – Corner Skimmers

### Height mt 1,20 – 2,20



Note:

The dimension indicated are to be considered minimum and imperative.  
 Min concrete bed thickness = 15 cm; Concrete Rck 250 kg/ cmq (250 da N / cmq );  
 min concrete bed reinforcement = electro welded wire mesh Ø 6 / 20"x20"  
 Surface smoothed with plaster, thin sand mortar and concrete; edges of the pool bottom without fittings.  
 Give the pool bottom 3 cm-slope towards the floor inlet.  
 The indicated specifications are valid for draining soils without layer, with  $\sigma > 1.50$  daN/cm<sup>2</sup>.  
 For different conditions it is necessary a preventive check carried out by the purchaser.

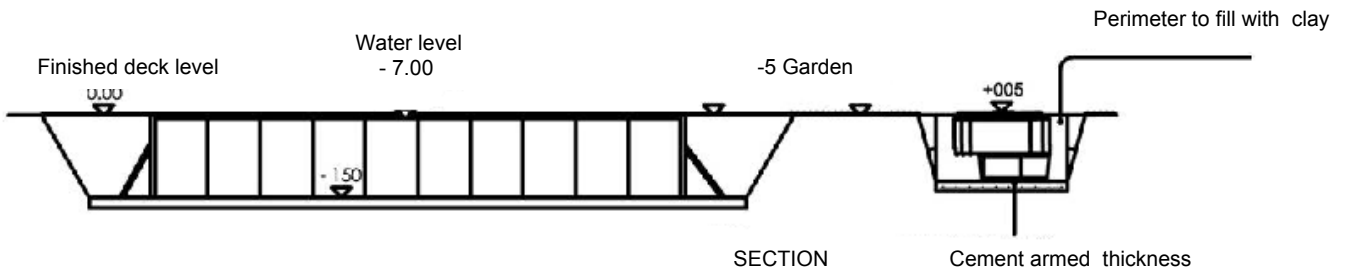


AxB	Depth	Panel h 120	Flow	Accessories for Circulation			PVC Liner	Pool Edge	INOX 304 Ladders	Testing and Cleaning Kit
				SKIMMER	NOZZLES	MAIN DRAIN				
METER	CENTIMETER	ALUZINC	M3/h				THICKNESS 1.5 mm	Concrete and Grit	3 stairs n°	
4 x 8	120-220	Aluzinc	15	4	2	1	Yes	Yes	1	Yes
5 x 10	120-220	Aluzinc	15	4	2	1	Yes	Yes	1	Yes
5 x 12	120-220	Aluzinc	15	4	2	1	Yes	Yes	1	Yes
6 x 12	120-220	Aluzinc	22	4	2	1	Yes	Yes	1	Yes
6 x 14	120-220	Aluzinc	22	4	3	1	Yes	Yes	1	Yes
8 x 16	120-220	Aluzinc	33	4	4	1	yes	yes	1	yes



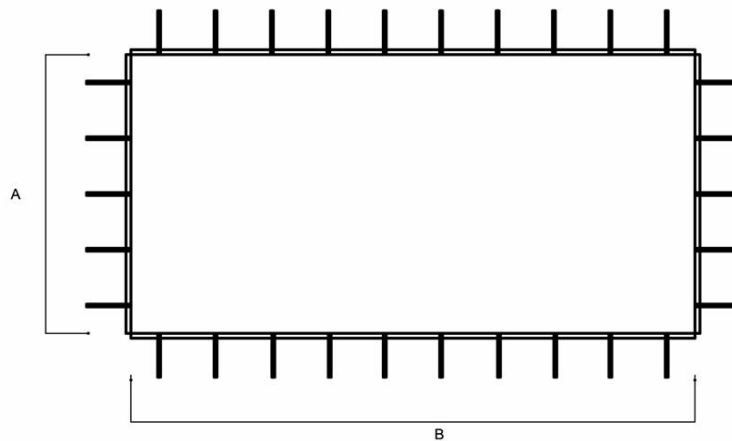
## Rectangular type pools – Standard Skimmers

### Height mt 1,50



**Note:**

The dimension indicated are to be considered minimum and imperative.  
 Min concrete bed thickness = 15 cm; Concrete Rck 250 kg/ cmq (250 da N / cmq );  
 min concrete bed reinforcement = electro welded wire mesh Ø 6 / 20"x20"  
 Surface smoothed with plaster, thin sand mortar and concrete; edges of the pool bottom without fittings.  
 Give the pool bottom 3 cm-slope towards the floor inlet.  
 The indicated specifications are valid for draining soils without layer, with  $\sigma > 1.50$  da N/cm<sup>2</sup>.  
 For different conditions it is necessary a preventive check carried out by the purchaser.

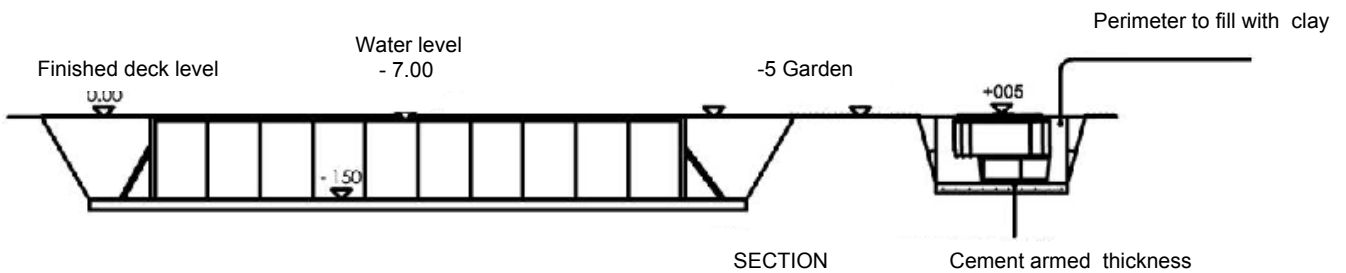


AxB	Depth	Panel h 150	Flow	Accessories for Circulation			PVC Liner	Pool Edge	INOX 304 Ladders	Testing and Cleaning Kit
				SKIMMER	NOZZLES	MAIN DRAIN				
METER	CENTIMETER	ALUZINC	M3/h				THICKNESS 1.5 mm	Concrete and Grit	4 stairs n°	
<b>4 x 8</b>	<b>150</b>	<b>Aluzinc</b>	<b>15</b>	<b>2</b>	<b>2</b>	<b>1</b>	<b>Yes</b>	<b>Yes</b>	<b>1</b>	<b>Yes</b>
<b>5 x 10</b>	<b>150</b>	<b>Aluzinc</b>	<b>15</b>	<b>2</b>	<b>2</b>	<b>1</b>	<b>Yes</b>	<b>Yes</b>	<b>1</b>	<b>Yes</b>
<b>5 x 12</b>	<b>150</b>	<b>Aluzinc</b>	<b>15</b>	<b>2</b>	<b>2</b>	<b>1</b>	<b>Yes</b>	<b>Yes</b>	<b>1</b>	<b>Yes</b>
<b>6 x 12</b>	<b>150</b>	<b>Aluzinc</b>	<b>22</b>	<b>2</b>	<b>2</b>	<b>1</b>	<b>Yes</b>	<b>Yes</b>	<b>1</b>	<b>Yes</b>
<b>6 x 14</b>	<b>150</b>	<b>Aluzinc</b>	<b>22</b>	<b>3</b>	<b>3</b>	<b>1</b>	<b>Yes</b>	<b>Yes</b>	<b>1</b>	<b>Yes</b>
<b>8 x 16</b>	<b>150</b>	<b>Aluzinc</b>	<b>33</b>	<b>4</b>	<b>4</b>	<b>1</b>	<b>yes</b>	<b>yes</b>	<b>1</b>	<b>yes</b>



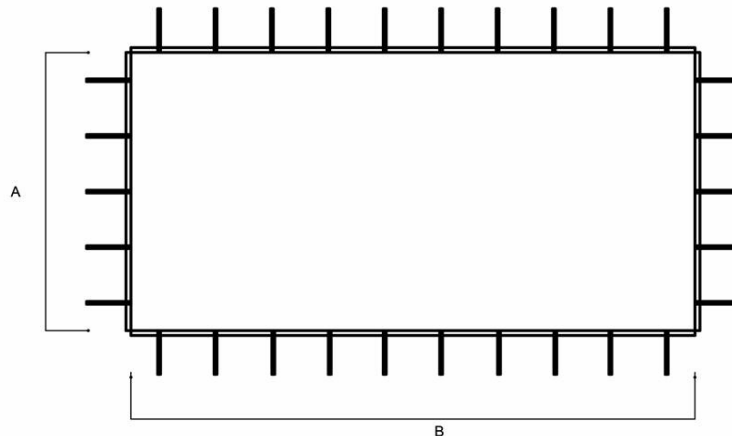
## Rectangular type pools – Corner Skimmers

### Height mt 1,50



**Note:**

The dimension indicated are to be considered minimum and imperative.  
 Min concrete bed thickness = 15 cm; Concrete Rck 250 kg/ cmq (250 da N / cmq );  
 min concrete bed reinforcement = electro welded wire mesh Ø 6 / 20"x20"  
 Surface smoothed with plaster, thin sand mortar and concrete; edges of the pool bottom without fittings.  
 Give the pool bottom 3 cm-slope towards the floor inlet.  
 The indicated specifications are valid for draining soils without layer, with  $\sigma > 1.50$  daN/cmq.  
 For different conditions it is necessary a preventive check carried out by the purchaser.

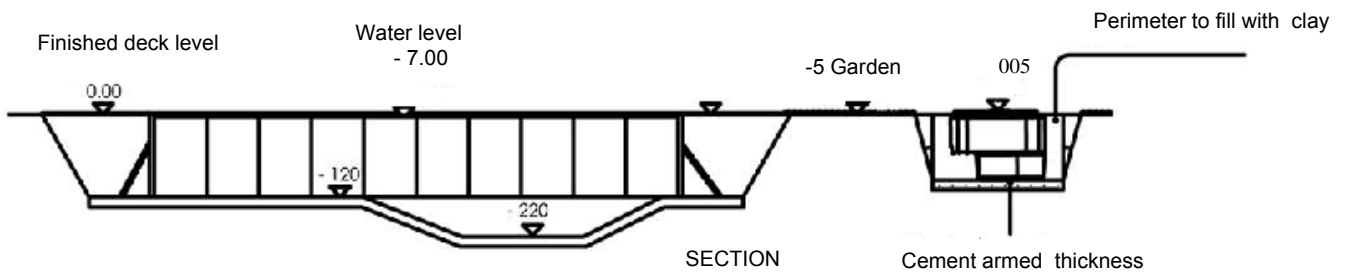


AxB	Depth	Panel h 150	Flow	Accessories for Circulation			PVC Liner	Pool Edge	INOX 304 Ladders	Testing and Cleaning Kit
				SKIMMER	NOZZLES	MAIN DRAIN				
METER	CENTIMETER	ALUZINC	M3/h				THICKNESS 1.5 mm	Concrete and Grit	4 stairs n°	
4 x 8	150	Aluzinc	15	4	2	1	Yes	Yes	1	Yes
5 x 10	150	Aluzinc	15	4	2	1	Yes	Yes	1	Yes
5 x 12	150	Aluzinc	15	4	2	1	Yes	Yes	1	Yes
6 x 12	150	Aluzinc	22	4	2	1	Yes	Yes	1	Yes
6 x 14	150	Aluzinc	22	4	3	1	Yes	Yes	1	Yes
8 x 16	150	Aluzinc	33	4	4	1	yes	yes	1	yes



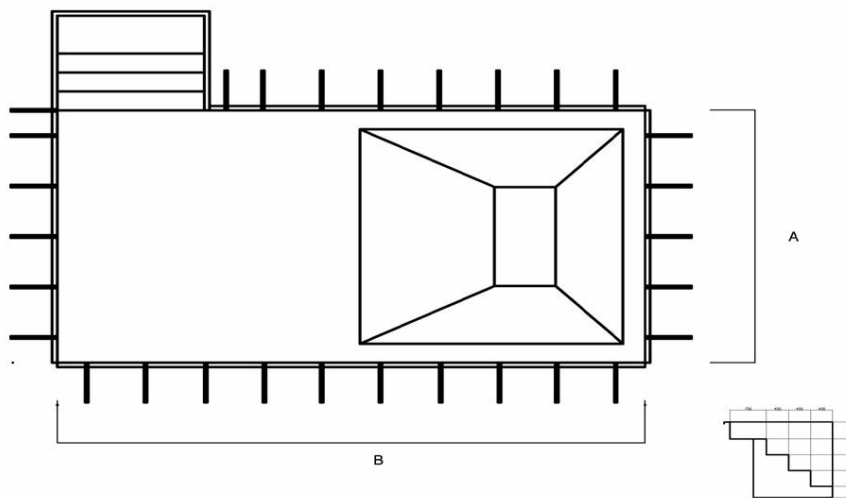
# Rectangular type pools with rectangular type stairs Standard Skimmers

Height mt 1,20 – 2,20



Note:

The dimension indicated are to be considered minimum and imperative.  
 Min concrete bed thickness = 15 cm; Concrete Rck 250 kg/ cmq (250 da N / cmq );  
 min concrete bed reinforcement = electro welded wire mesh Ø 6 / 20"x20"  
 Surface smoothed with plaster, thin sand mortar and concrete; edges of the pool bottom without fittings.  
 Give the pool bottom 3 cm-slope towards the floor inlet.  
 The indicated specifications are valid for draining soils without layer, with  $\sigma > 1.50$  daN/cmq.  
 For different conditions it is necessary a preventive check carried out by the purchaser.

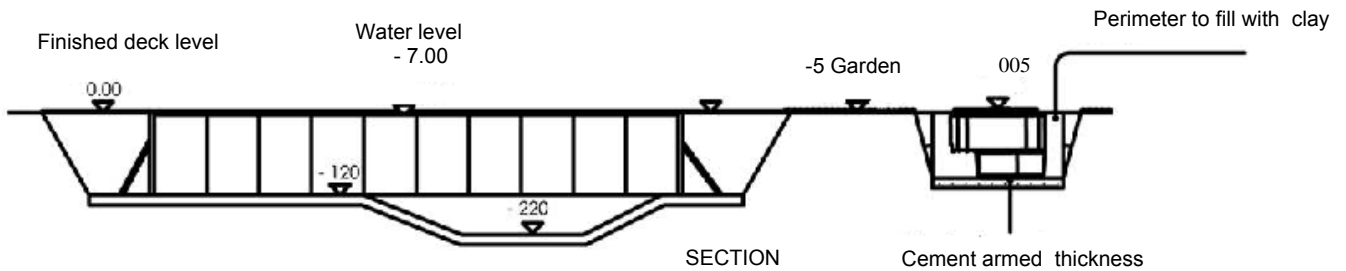


AxB	Depth	Panel h 120	Flow	Accessories for Circulation			PVC Liner	Pool Edge	INOX 304 Ladders	Testing and Cleaning Kit
				SKIMMER	NOZZLES	MAIN DRAIN				
METE R	CENTIMET ER	ALUZIC	M3/h				THICKNESS 1.5 mm	Concrete and Grit	3 stairs n°	
4 x 8	120-220	Aluzinc	15	2	3	1	Yes	Yes	1	Yes
5 x 10	120-220	Aluzinc	15	2	3	1	Yes	Yes	1	Yes
6 x 12	120-220	Aluzinc	22	2	3	1	Yes	Yes	1	Yes



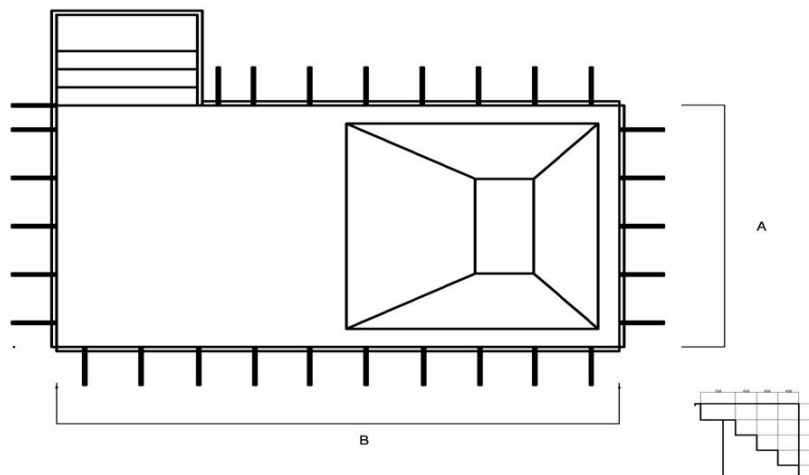
# Rectangular type pools with rectangular type stairs Corner Skimmers

## Height mt 1,20 – 2,20



Note:

The dimension indicated are to be considered minimum and imperative.  
 Min concrete bed thickness = 15 cm; Concrete Rck 250 kg/ cmq (250 da N / cmq );  
 min concrete bed reinforcement = electro welded wire mesh Ø 6 / 20"x20"  
 Surface smoothed with plaster, thin sand mortar and concrete; edges of the pool bottom without fittings.  
 Give the pool bottom 3 cm-slope towards the floor inlet.  
 The indicated specifications are valid for draining soils without layer, with  $\sigma > 1.50$  daN/cm<sup>2</sup>.  
 For different conditions it is necessary a preventive check carried out by the purchaser.

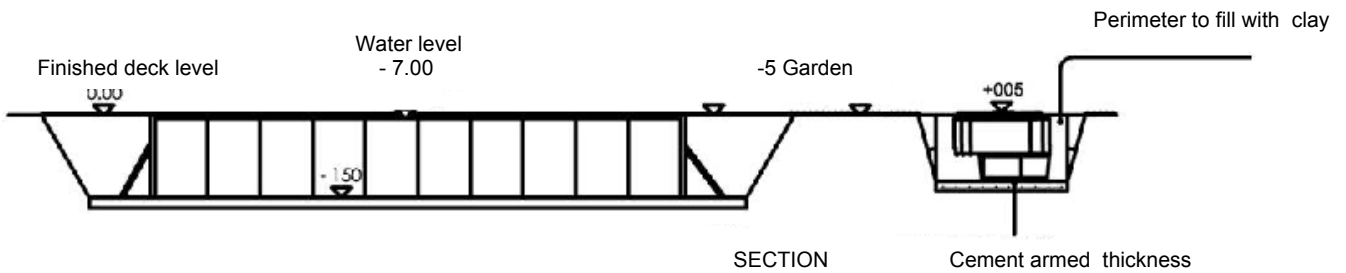


AxB	Depth	Panel h 120	Flow	Accessories for Circulation			PVC Liner	Pool Edge	INOX 304 Ladders	Testing and Cleaning Kit
				SKIMMER	NOZZLES	MAIN DRAIN				
METER	CENTIMETER	ALUZIC	M3/h				THICKNESS 1.5 mm	Concrete and Grit	3 stairs n°	
4 x 8	120-220	Aluzinc	15	3	3	1	Yes	Yes	1	Yes
5 x 10	120-220	Aluzinc	15	3	3	1	Yes	Yes	1	Yes
6 x 12	120-220	Aluzinc	22	3	3	1	Yes	Yes	1	Yes



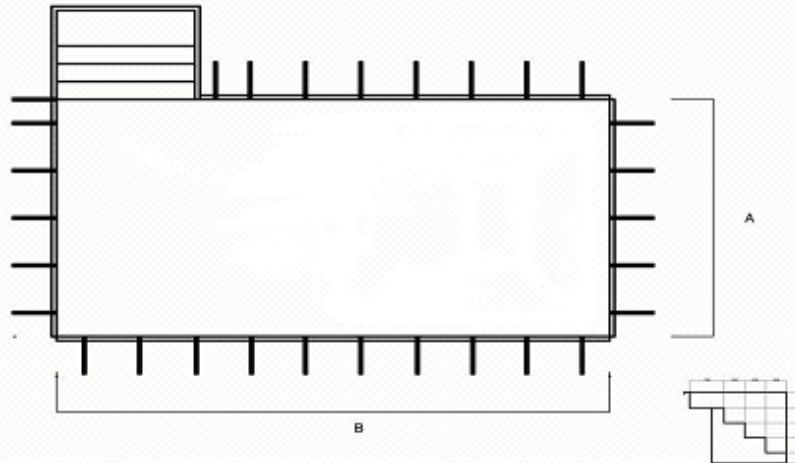
# Rectangular type pools with rectangular type stairs Standard Skimmers

## Height mt 1,50



**Note:**

The dimension indicated are to be considered minimum and imperative.  
 Min concrete bed thickness = 15 cm; Concrete Rck 250 kg/ cmq (250 da N / cmq );  
 min concrete bed reinforcement = electro welded wire mesh Ø 6 / 20"x20"  
 Surface smoothed with plaster, thin sand mortar and concrete; edges of the pool bottom without fittings.  
 Give the pool bottom 3 cm-slope towards the floor inlet.  
 The indicated specifications are valid for draining soils without layer, with  $\sigma > 1.50$  daN/cmq.  
 For different conditions it is necessary a preventive check carried out by the purchaser.

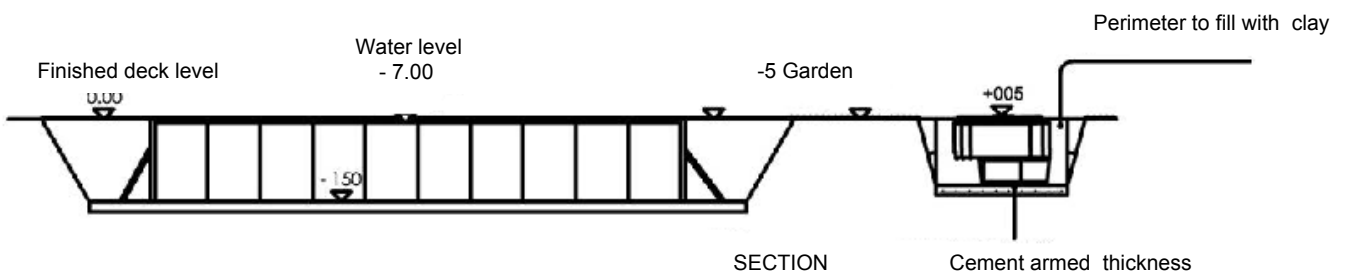


AxB	Depth	Panel h 120	Flow	Accessories for Circulation			PVC Liner	Pool Edge	INOX 304 Ladders	Testing and Cleaning Kit
				SKIMMER	NOZZLES	MAIN DRAIN				
METER	CENTIMETER	ALUZIC	M3/h				THICKNESS 1.5 mm	Concrete and Grit	4 STAIRS n°	
4 x 8	150	Aluzinc	15	2	3	1	Yes	Yes	1	Yes
5 x 10	150	Aluzinc	15	2	3	1	Yes	Yes	1	Yes
6 x 12	150	Aluzinc	22	2	3	1	Yes	Yes	1	Yes



# Rectangular type pools with rectangular type stairs Corner Skimmers

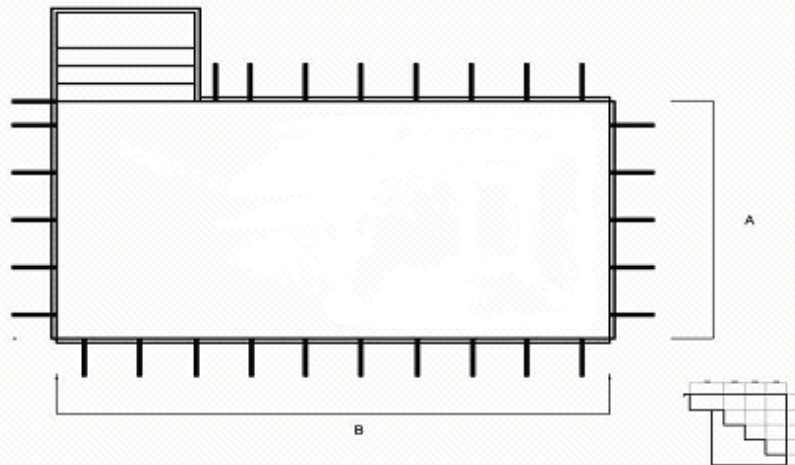
## Height mt 1,50



**Note:**

The dimension indicated are to be considered minimum and imperative.  
 Min concrete bed thickness = 15 cm; Concrete Rck 250 kg/ cmq (250 da N / cmq );  
 min concrete bed reinforcement = electro welded wire mesh Ø 6 / 20"x20"  
 Surface smoothed with plaster, thin sand mortar and concrete; edges of the pool bottom without fittings.  
 Give the pool bottom 3 cm-slope towards the floor inlet.

The indicated specifications are valid for draining soils without layer, with  $\sigma > 1.50$  daN/cmq.  
 For different conditions it is necessary a preventive check carried out by the purchaser.



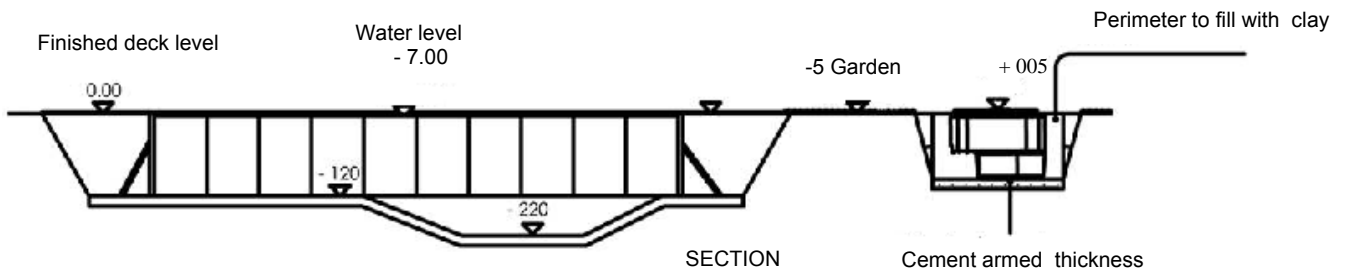
AxB	Depth	Panel h 120	Flow	Accessories for Circulation			PVC Liner	Pool Edge	INOX 304 Ladders	Testing and Cleaning Kit
				SKIMMER	NOZZLES	MAIN DRAIN				
METER	CENTIMETER	ALUZIC	M3/h				THICKNESS 1.5 mm	Concrete and Grit	4 STAIRS n°	
4 x 8	150	Aluzinc	15	3	3	1	Yes	Yes	1	Yes
5 x 10	150	Aluzinc	15	3	3	1	Yes	Yes	1	Yes
6 x 12	150	Aluzinc	22	3	3	1	Yes	Yes	1	Yes



# Rectangular type pools with Roman type stairs

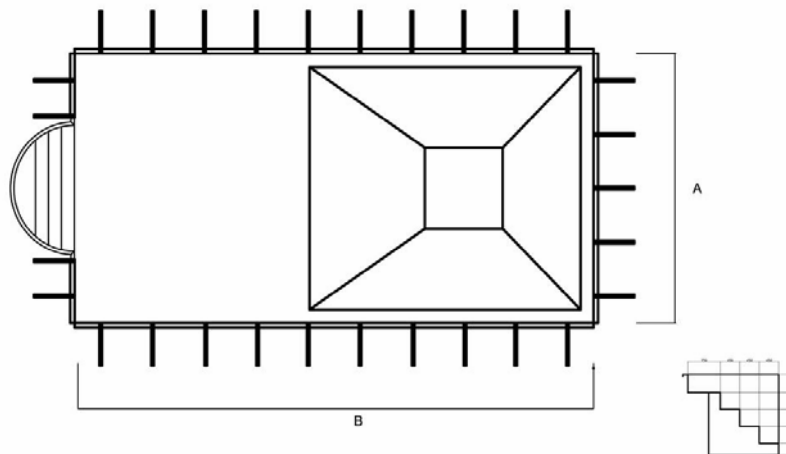
## Standard Skimmers

### Height mt 1,20 – 2,20



**Note:**

The dimension indicated are to be considered minimum and imperative.  
 Min concrete bed thickness = 15 cm; Concrete Rck 250 kg/ cmq (250 da N / cmq );  
 min concrete bed reinforcement = electro welded wire mesh Ø 6 / 20"x20"  
 Surface smoothed with plaster, thin sand mortar and concrete; edges of the pool bottom without fittings.  
 Give the pool bottom 3 cm-slope towards the floor inlet.  
 The indicated specifications are valid for draining soils without layer, with  $\sigma > 1.50$  daN/cm<sup>2</sup>.  
 For different conditions it is necessary a preventive check carried out by the purchaser.



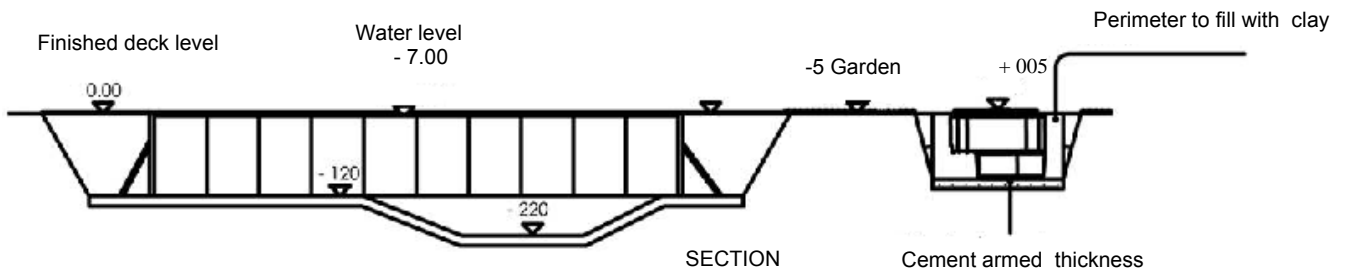
AxB	Depth	Panel h 120	Flow	Accessories for Circulation			PVC Liner	Pool Edge	INOX 304 Ladders	Testing and Cleaning Kit
				SKIMMER	NOZZLES	MAIN DRAIN				
METER	CENTIMETER	ALUZIC	M3/h				THICKNES S 1.5 mm	Concrete and Grit	3 STAIRS n°	
4 x 8	120-220	Aluzinc	15	2	3	1	Yes	Yes	1	Yes
5 x 10	120-220	Aluzinc	15	2	3	1	Yes	Yes	1	Yes
6 x 12	120-220	Aluzinc	22	2	3	1	Yes	Yes	1	Yes



# Rectangular type pools with Roman type stairs

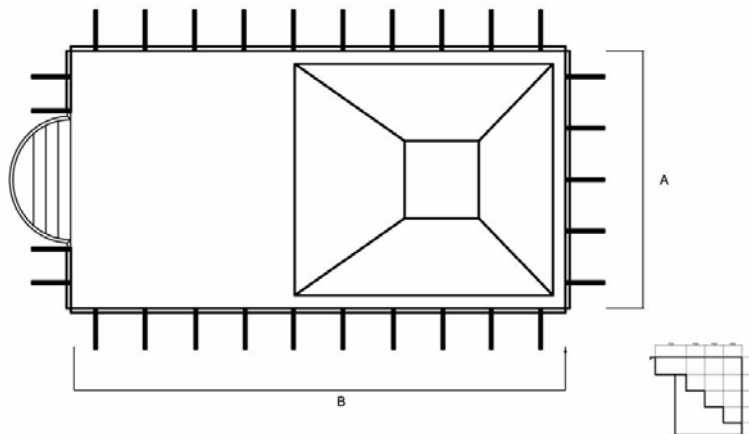
## Corner Skimmers

### Height mt 1,20 – 2,20



**Note:**

The dimension indicated are to be considered minimum and imperative.  
 Min concrete bed thickness = 15 cm; Concrete Rck 250 kg/ cmq (250 da N / cmq );  
 min concrete bed reinforcement = electro welded wire mesh Ø 6 / 20"x20"  
 Surface smoothed with plaster, thin sand mortar and concrete; edges of the pool bottom without fittings.  
 Give the pool bottom 3 cm-slope towards the floor inlet.  
 The indicated specifications are valid for draining soils without layer, with  $\sigma > 1.50$  daN/cm<sup>2</sup>.  
 For different conditions it is necessary a preventive check carried out by the purchaser.



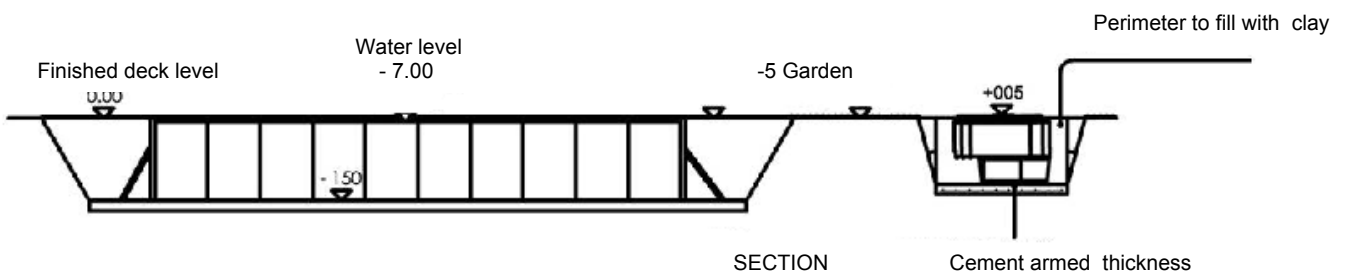
AxB	Depth	Panel h 120	Flow	Accessories for Circulation			PVC Liner	Pool Edge	INOX 304 Ladders	Testing and Cleaning Kit
				SKIMMER	NOZZLES	MAIN DRAIN				
METER	CENTIMETER	ALUZIC	M3/h				THICKNESS 1.5 mm	Concrete and Grit	3 STAIRS n°	
4 x 8	120-220	Aluzinc	15	4	3	1	Yes	Yes	1	Yes
5 x 10	120-220	Aluzinc	15	4	3	1	Yes	Yes	1	Yes
6 x 12	120-220	Aluzinc	22	4	3	1	Yes	Yes	1	Yes



# Rectangular type pools with Roman type stairs

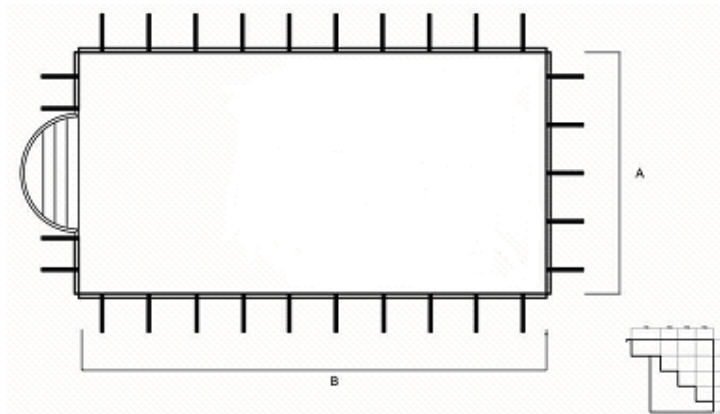
## Standard Skimmers

### Height mt 1,50



**Note:**

The dimension indicated are to be considered minimum and imperative.  
 Min concrete bed thickness = 15 cm; Concrete Rck 250 kg/ cmq (250 da N / cmq );  
 min concrete bed reinforcement = electro welded wire mesh Ø 6 / 20"x20"  
 Surface smoothed with plaster, thin sand mortar and concrete; edges of the pool bottom without fittings.  
 Give the pool bottom 3 cm-slope towards the floor inlet.  
 The indicated specifications are valid for draining soils without layer, with  $\sigma > 1.50$  daN/cm<sup>2</sup>.  
 For different conditions it is necessary a preventive check carried out by the purchaser.



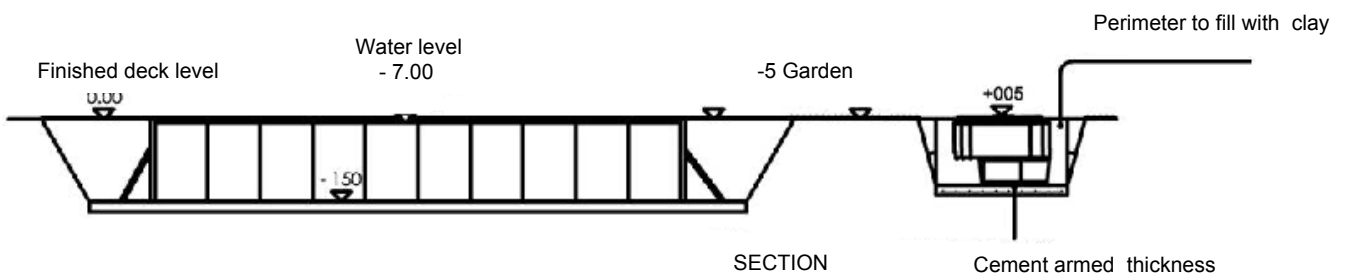
AxB	Depth	Panel h 120	Flow	Accessories for Circulation			PVC Liner	Pool Edge	INOX 304 Ladders	Testing and Cleaning Kit
				SKIMMER	NOZZLES	MAIN DRAIN				
METER	CENTIMETER	ALUZIC	M3/h				THICKNESS 1.5 mm	Concrete and Grit	4 STAIRS n°	
4 x 8	150	Aluzinc	15	2	3	1	Yes	Yes	1	Yes
5 x 10	150	Aluzinc	15	2	3	1	Yes	Yes	1	Yes
6 x 12	150	Aluzinc	22	2	3	1	Yes	Yes	1	Yes



# Rectangular type pools with Roman type stairs

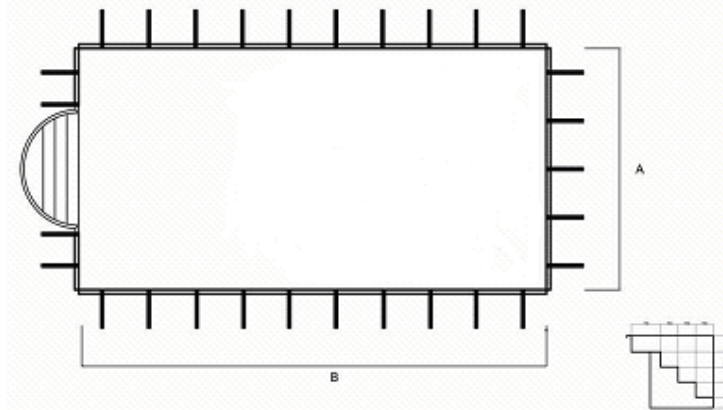
## Corner Skimmers

### Height mt 1,50



**Note:**

The dimension indicated are to be considered minimum and imperative.  
 Min concrete bed thickness = 15 cm; Concrete Rck 250 kg/ cmq (250 da N / cmq );  
 min concrete bed reinforcement = electro welded wire mesh Ø 6 / 20"x20"  
 Surface smoothed with plaster, thin sand mortar and concrete; edges of the pool bottom without fittings.  
 Give the pool bottom 3 cm-slope towards the floor inlet.  
 The indicated specifications are valid for draining soils without layer, with  $\sigma > 1.50$  daN/cmq.  
 For different conditions it is necessary a preventive check carried out by the purchaser.

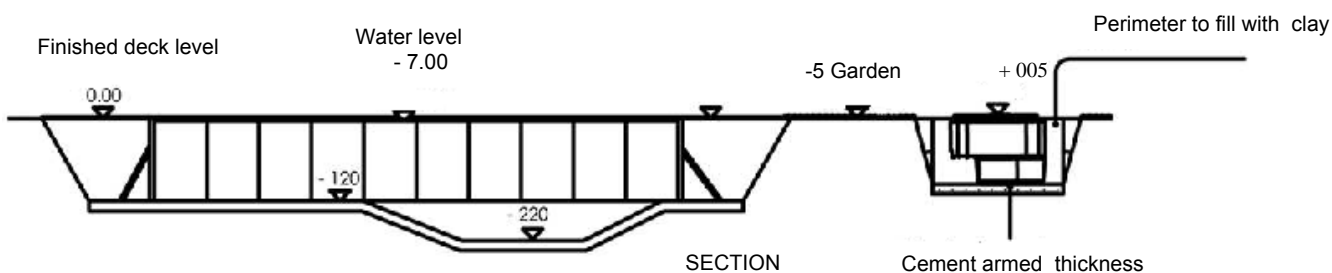


AxB	Depth	Panel h 120	Flow	Accessories for Circulation			PVC Liner	Pool Edge	INOX 304 Ladders	Testing and Cleaning Kit
				SKIMMER	NOZZLES	MAIN DRAIN				
METER	CENTIMETER	ALUZIC	M3/h				THICKNESS 1.5 mm	Concrete and Grit	4 STAIRS n°	
4 x 8	150	Aluzinc	15	4	3	1	Yes	Yes	1	Yes
5 x 10	150	Aluzinc	15	4	3	1	Yes	Yes	1	Yes
6 x 12	150	Aluzinc	22	4	3	1	Yes	Yes	1	Yes



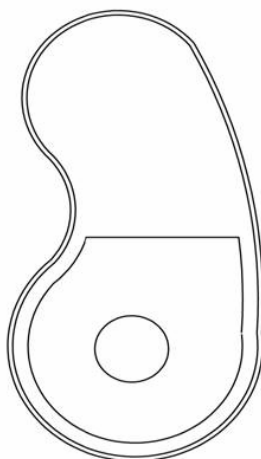
## Free Shape type Pools - Standard Skimmers

### Height mt 1,20 – 2,20



**Note:**

The dimension indicated are to be considered minimum and imperative.  
 Min concrete bed thickness = 15 cm; Concrete Rock 250 kg/ cmq (250 da N / cmq );  
 min concrete bed reinforcement = electro welded wire mesh Ø 6 / 20"x20"  
 Surface smoothed with plaster, thin sand mortar and concrete; edges of the pool bottom without fittings.  
 Give the pool bottom 3 cm-slope towards the floor inlet.  
 The indicated specifications are valid for draining soils without layer, with  $\sigma > 1.50$  daN/cm<sup>2</sup>.  
 For different conditions it is necessary a preventive check carried out by the purchaser.

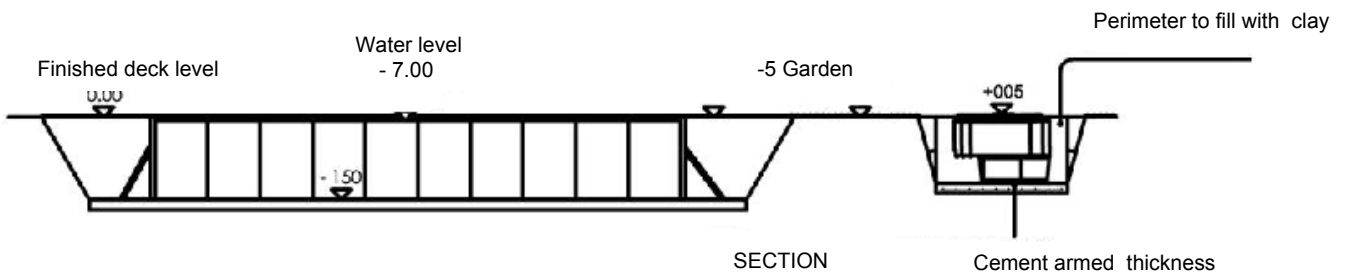


Perimeter	Depth	Panel h 120	Flow	Accessories for Circulation			PVC Liner	Pool Edge	INOX 304 Ladders	Testing and Cleaning Kit
				SKIMMER	NOZZLES	MAIN DRAIN				
METER	CENTIMETER	ALUZIC	M3/h				THICKNESS 1.5 mm	Concrete and Grit	3 STAIRS n°	
20	120-220	Aluzinc	15	2	2	1	Yes	Yes	1	Yes
24	120-220	Aluzinc	15	2	2	1	Yes	Yes	1	Yes
28	120-220	Aluzinc	22	2	2	1	Yes	Yes	1	Yes



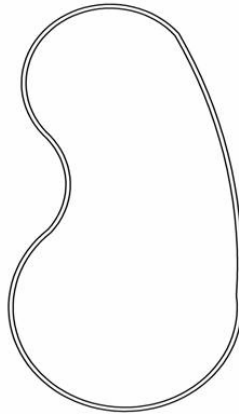
## Free Shape type Pools - Standard Skimmers

### Height mt 1,20 – 2,20



**Note:**

The dimension indicated are to be considered minimum and imperative.  
 Min concrete bed thickness = 15 cm; Concrete Rck 250 kg/ cmq (250 da N / cmq );  
 min concrete bed reinforcement = electro welded wire mesh Ø 6 / 20"x20"  
 Surface smoothed with plaster, thin sand mortar and concrete; edges of the pool bottom without fittings.  
 Give the pool bottom 3 cm-slope towards the floor inlet.  
 The indicated specifications are valid for draining soils without layer, with  $\sigma > 1.50$  daN/cm<sup>2</sup>.  
 For different conditions it is necessary a preventive check carried out by the purchaser.



Perimeter	Depth	Panel h 120	Flow	Accessories for Circulation			PVC Liner	Pool Edge	INOX 304 Ladders	Testing and Cleaning Kit
				SKIMMER	NOZZLES	MAIN DRAIN				
METER	CENTIMETER	ALUZIC	M3/h				THICKNES S 1.5 mm	Concrete and Grit	3 STAIRS n°	
20	150	Aluzinc	15	2	2	1	Yes	Yes	1	Yes
24	150	Aluzinc	15	2	2	1	Yes	Yes	1	Yes
28	150	Aluzinc	22	2	2	1	Yes	Yes	1	Yes