



AQUA

AQUA is proud to present its new warewashing chemicals dispenser FULLY DIGITAL.

EASY TO PROGRAM

Thanks to the bluetooth technology.

QUICK TO INSTALL

Thanks to the mounting bracket provided.

NO MORE MAINTENANCE

Thanks to the inductive probe (optional) for the conductivity's reading.



Head Office:

I **AQUA S.p.A.:** 42018 San Martino in Rio, (RE) / Phone:+39 0522 695805/85 - Fax:+39 0522 646160 / e-mail:aqua@aquait - Web:www.aqua.it

Branches:

- I** **AQUA POOLS SRL:** Via Fossadone, 108 / 46043 Castiglione delle Stiviere MN / Tel: 0376 671280 - 0376 636371 / e-mail: aquamajis@libero.it - Web: www.aquamajis.com
- UK** **AQUA WATER SYSTEMS LTD:** Stourport-on-Severn DY13 9QB / Phone: +44 (0)1299 827703 - Fax: +44 (0)1299 827704 / e-mail: info@askaqua.co.uk - Web: www.askaqua.co.uk
- F** **AQUA FDI Sarl:** 95300 Pontoise / Phone:+33 (0)1 30304040 - Fax:+33 (0)1 30301810 / Web:www.aqua-fdi.com - e-mail:contact@aquafdi.com
- E** **AQUA FILTRACION S.A.:** Pol. Ind. Castellbisbal Sud 08755 Castellbisbal, Barcelona / Phone:+34 (0)93 7711855 - Fax:+34 (0)93 7711772 / e-mail:info@aquaes - Web:www.aqua.es
- PL** **SECURA B.C. Sp. z o.o.:** 04-388 Warsaw / Phone:+48 (0)22 8134569 - Fax:+48 (0)22 8132949 / e-mail:secura@secura.com.pl - Web:www.secura.com.pl
- RO** **S.C. ROM-AQUA SRL:** 310031, Arad / Phone:+40 (0)257 216601 - Fax:+40 (0)257 216602 / e-mail:romaquar@zappmobile.ro - seim@rdslink.ro - Web: www.filtre-apa.ro
- TR** **AQUA SU ARITIMI SAN.TIC.MUHENDISLIK LTD:** Rihitim Cad.fransiz Gedici C Block 59/38, Karakoy Istanbul / Phone: 0090 212 2920400 / Fax: 0090 212 2920323 e-mail: info@aquatru / Web: www.aquatru.com.tr
- UAE** **AQUA WATER SYSTEMS ME:** Dubai
- IND** **AQUA WATER SYSTEMS INDIA PVT LTD:** 3rd Floor 79/3/10 S R A Complex, Outer Ring Road, Bellandur Bangalore 560 103 / Phone: 091 080 4214 1414 / Fax 090 080 4214 14 15 e-mail:sales@aquaindia.in / Web: www.aquaindia.in
- RUS** **AQUA WATER SYSTEMS RUS:** Moscow - Russia

fontcorpool

The data and descriptions are of a merely illustrative nature and are not binding and may be changed without notice by the manufacturer.



DET4
WAREWASHING
CHEMICALS DISPENSER

NEW!





AQUA DET4

TECHNICAL FEATURES

Electricals	
Power Supply	from 100 to 240VAC 50/60Hz (fuse 1.6A delayed)
Consumption	20 Watts (max)
Trigger signals	3 (Charge, rinse and wash) from 24 to 240VAC
Alarm output	30VDC - 500mA
Relay output	250VAC - 5A
Level inputs	4 (detergent, rinse aid, sanitizer and washing tank)
Hydraulics	
Detergent flow rate peristaltic pump	10 l/h @ 0,1 bar - Santoprene tube
Rinse aid flow rate peristaltic pump	1,5 l/h @ 3 bar - Silicone tube
Rinse aid flow rate solenoid pump	1 l/h @ 8 bar - PPI/Pyrex/Viton®
Sanitizer flow rate peristaltic pump	1,5 l/h @ 3 bar - Silicone tube

The NEW system AQUA DET4 has been designed to dose up to three chemicals (detergent, rinse aid and sanitizer) into any model of dishwashing machine from the small single tank to the big conveyor. Thanks to microprocessor digital technology and a LCD display, the AQUA DET4 is easy to program and able to make the most economical use of each chemical.

INNOVATIVE & EASY TO INSTALL

Thanks to Bluetooth technology the AquaDet4 can be connect with a PDA or Smartphone. The Bluetooth make easy the way to program the system, no more uncomfortable situation behind the dishwashing machine.

VERSATILE

Easy to transform a 2-pumps system in a 3-pumps system, just removing the cover. Moreover the Bluetooth can be mounted on the systems already in the field.

EFFICIENT

Keeps in memory all the statistics data regarding chemical consumptions, cycle's counter, racks counter and working time.

RELIABLE

Password
The programming and the statistics data are fully protected by a 4-digit password.
O.F.A. (Over Feed Alarm)
To avoid detergent over feed in case problems with the reading of the probe.
Level alarms
Each chemical has its input for the level probe.
Protection degree
IP65 against dust and water sprays.

MODELS AVAILABLE

AQUADET4 - 2 pumps			
Model	Detergent	Rinse aid	Sanitizer
Det4 - LLL	Peristaltic pump	Peristaltic pump	X
Det4 - LLLe	Peristaltic pump	Solenoid pump	X
Det4 - PLL	Solenoid valve	Peristaltic pump	X
Det4 - PLLe	Solenoid valve	Solenoid pump	X
AQUADET4 - 3 pumps			
Model	Detergent	Rinse aid	Sanitizer
Det4 - LLL	Peristaltic pump	Peristaltic pump	Peristaltic pump
Det4 - LLLe	Peristaltic pump	Solenoid pump	Peristaltic pump
Det4 - PLL	Solenoid valve	Peristaltic pump	Peristaltic pump
Det4 - PLLe	Solenoid valve	Solenoid pump	Peristaltic pump

PUMP SETTINGS

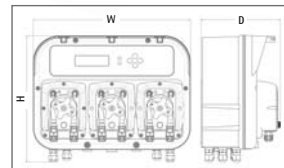
- Detergent**
- Controlled by conductivity and time/speed.
 - Speed adjustable from 15 to 100%.
 - Time adjustable from 0 to 999 seconds or continuously.
- Rinse aid**
- Controlled by time and speed.
 - Peristaltic speed adjustable from 15 to 100%.
 - Solenoid stroke adjustable from 1 to 50 per minute.
 - Time adjustable from 0 to 999 seconds or continuously.
- Sanitizer**
- Controlled by time and speed.
 - Speed adjustable from 15 to 100%.

INSTALLATION KIT

- Stainless steel injection fitting - detergent.
- Stainless steel check valve - rinse aid.
- Hose barb adapter - rinse aid.
- Roll of PVC and PE tubing. Foot filters.

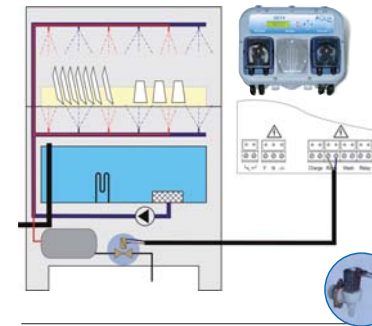
ACCESSORIES

- T fitting.
- Bluetooth™** Bluetooth kit.
- Suction device. Available in different lengths for container of 5/10 or 20/25 liters and with or without container adapter.

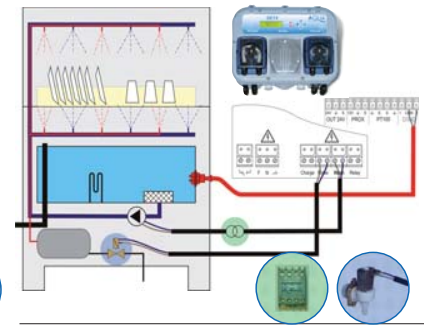


DIMENSIONS (mm) WxHxD:
304 x 246 x 153
WEIGHT (Kg): 2.3

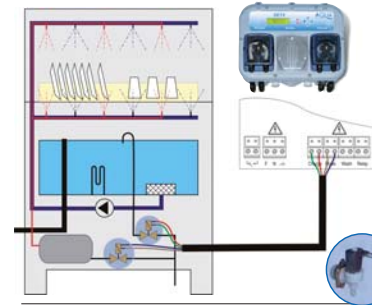
Single tank with one solenoid valve - probeless



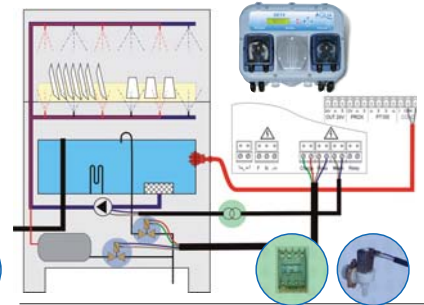
Single tank with one solenoid valve - probe



Single tank with two solenoid valves - probeless



Single tank with two solenoid valves - probe



Hydraulics connections

